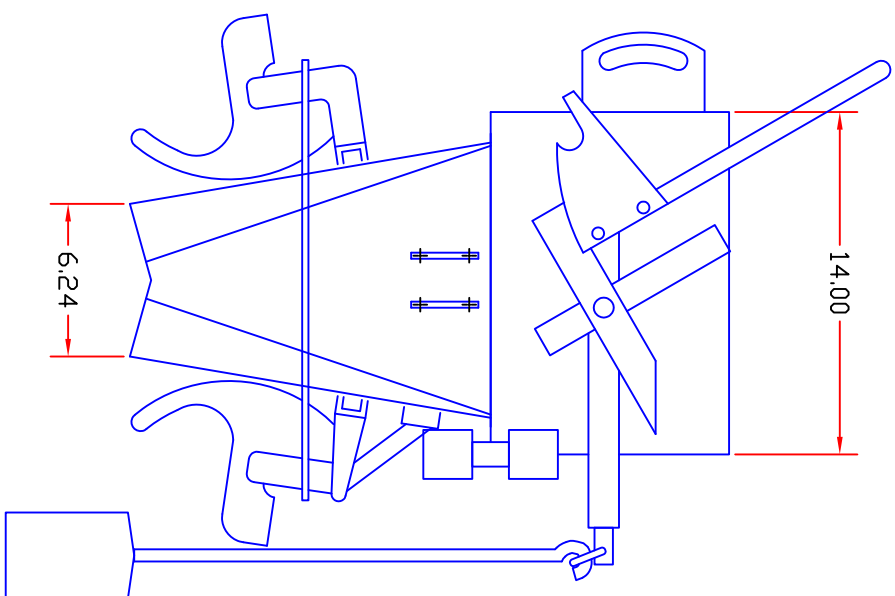
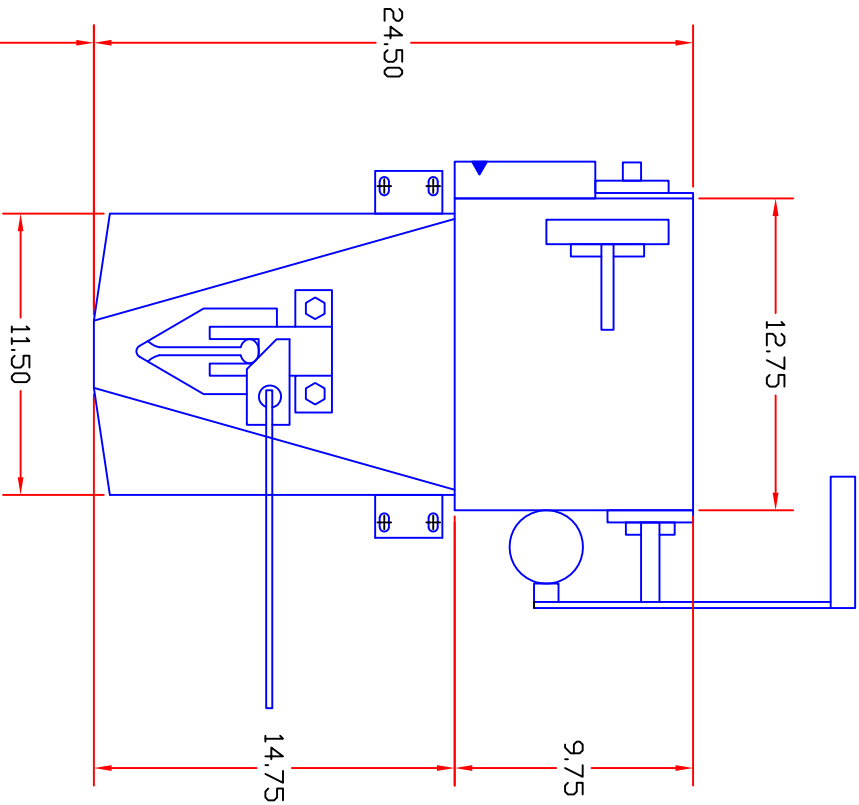


OPENING IN HOPPER MUST NOT EXCEED 7" ACROSS THE FRONT AND 9" FRONT TO REAR



48.00 TYP.
TD FLOOR

GB MECHANICAL GROSS WEIGH BAGGING SCALE
5-6 bags per minute at + or - 4 oz. accuracy
Shipping crate size: 30"x30"x30"
Weight: 200 lbs
Class: CL-70

REV. 1	EXPRESS SCALE PARTS, INC.		
REV. 2	14560 W. 99TH ST. LENEXA, KANSAS 66215 (913) 441-4787		
REV. 3	NAME GB (GROSS WEIGH BAGGING SCALE)		
REV. 4	FOR NON-DUSTY PRODUCT		
REV. 5	FDR		
REV. 6	TOLERANCE		
REV. 7	DRAWING NUMBER MGBE0002HOGGATT		
	DRAWN BY	SCALE	PART NUMBER
	D.N.S.	D.N.S.	
	DATE		
	8/13/14		
VALUED CUSTOMER			